

AIRLINE™ L O U V E R S

Brick Vents Flanged Frame

STANDARD MATERIALS AND CONSTRUCTION

- FRAME:** .125" thick (nominal) extruded aluminum.
- BLADE:** .125" thick (nominal) extruded aluminum.
- SCREEN:** 1/16 Mesh, .011" dia. aluminum wire, insect screen.
- FINISH:** Clear anodized finish is standard.

OPTIONS

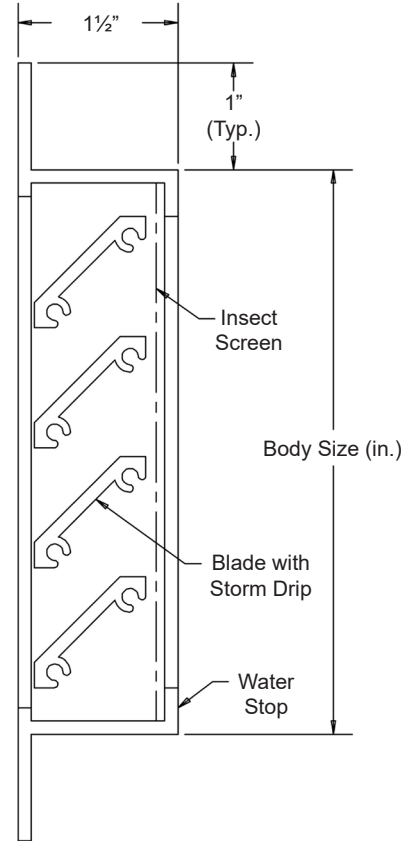
Finish - Baked Enamel, Kynar, Anodize

NOTES

1. 1/2" nominal deduction will be made to the opening size given unless otherwise stated.
2. Many stock sizes are available for immediate shipment. Brick vents are also available in practically any width or height.

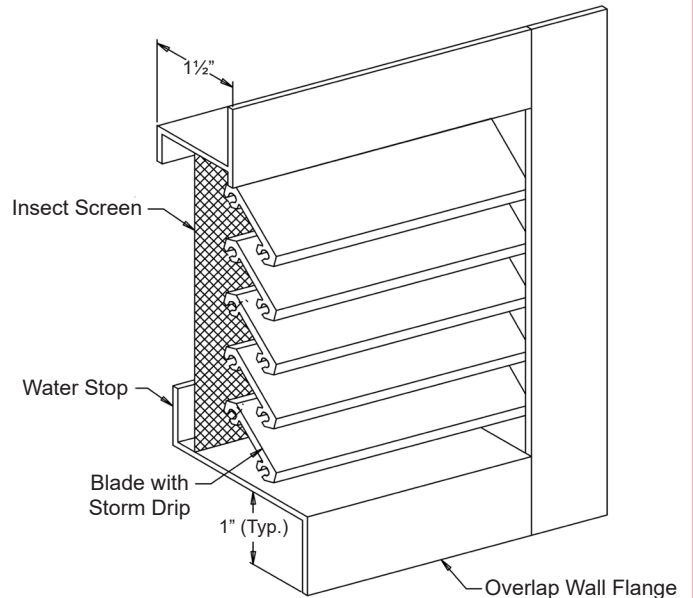
BRICK VENT SIZES

Body Size	Minimum Opening Size	Free Area (Sq. In.)
8 1/8" x 2 3/8"	8 1/2" x 2 5/8"	4.18
8 1/8" x 4 3/4"	8 1/2" x 5"	11.52
8 1/8" x 7 3/4"	8 1/2" x 8"	19.58
16 1/2" x 2 3/8"	17" x 2 5/8"	8.64
16 1/2" x 4 3/4"	17" x 5"	28.22
16 1/2" x 7 3/4"	17" x 8"	40.32
12" x 2 3/8"	12 1/2" x 2 5/8"	6.34
12" x 4 3/4"	12 1/2" x 5"	17.28
24" x 4 3/4"	24 1/2" x 5"	39.02
24" x 7 3/4"	24 1/2" x 8"	58.75



Not to scale.

For custom size Brick Vents, contact customer service for details.



Please use the Brick Vent order form on page 2 for handwritten orders.

In the interest of product development, Airline Louvers reserves the right to make changes without notice.

1020 Prince Frederick Blvd. Suite 305 • Prince Frederick, MD 20687 • Phone: (570) 420-7079 • Fax: (570) 420-7078



Brick Vents

Flanged Frame

BRICK VENT ORDER FORM

Item	Qty	Opening Size		Finish	Tagging	Net Each	Total
		Width ("A")	Height ("B")				